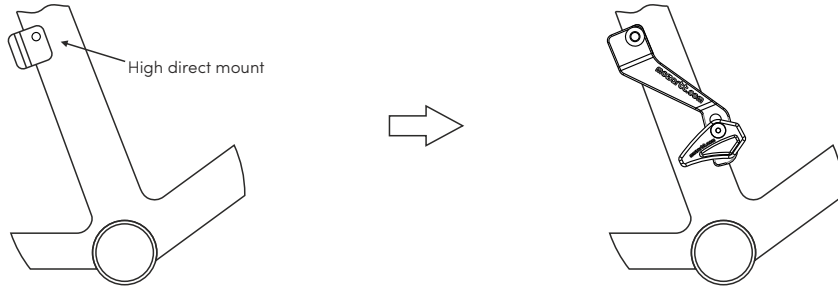


Piano.

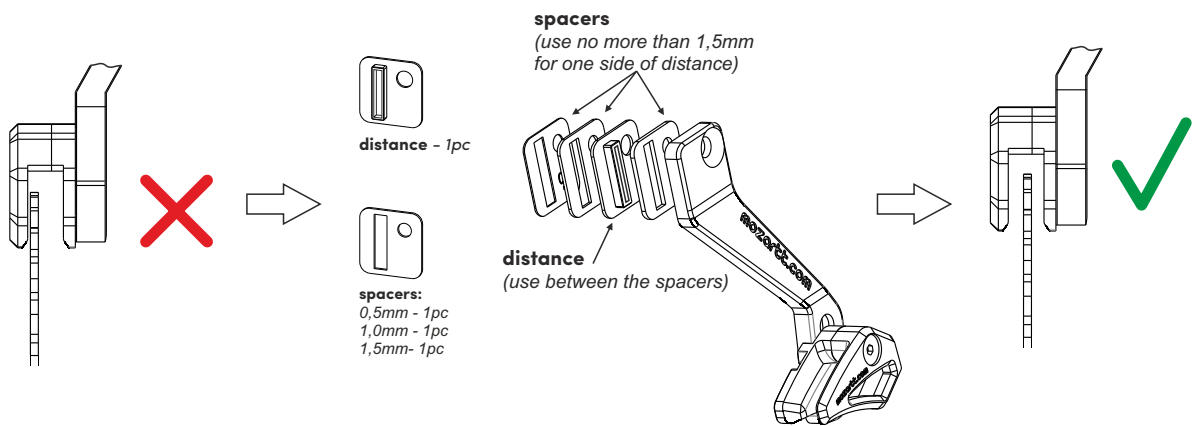
HDM setup instruction



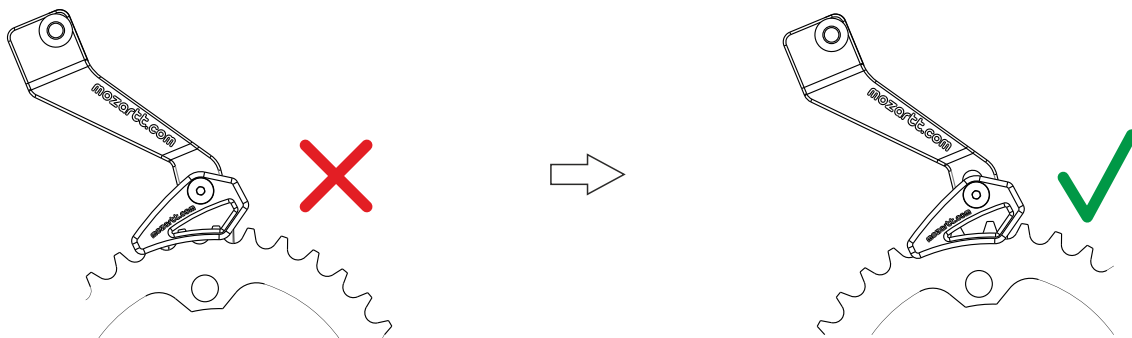
1. Chain guide is designed to fit high direct mount.



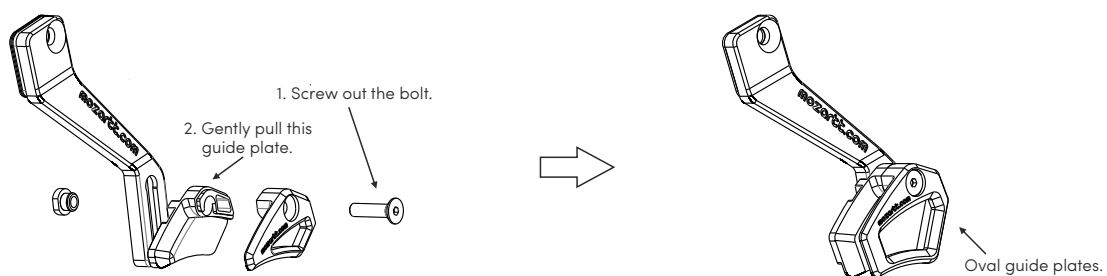
2. Using the provided spacers, put them between backplate and HDM so the chainring is centered in the upper guide plate.



3. Set the guide plate, so it covers the chain, and chainring tooth.



4. To use the chain device with oval chainring, please screw out the bolt, and gently pull the guide plate. Replace it by using oval guide plates (provided with the chain device), and set it as shown at point 3.



4. enjoy riding!